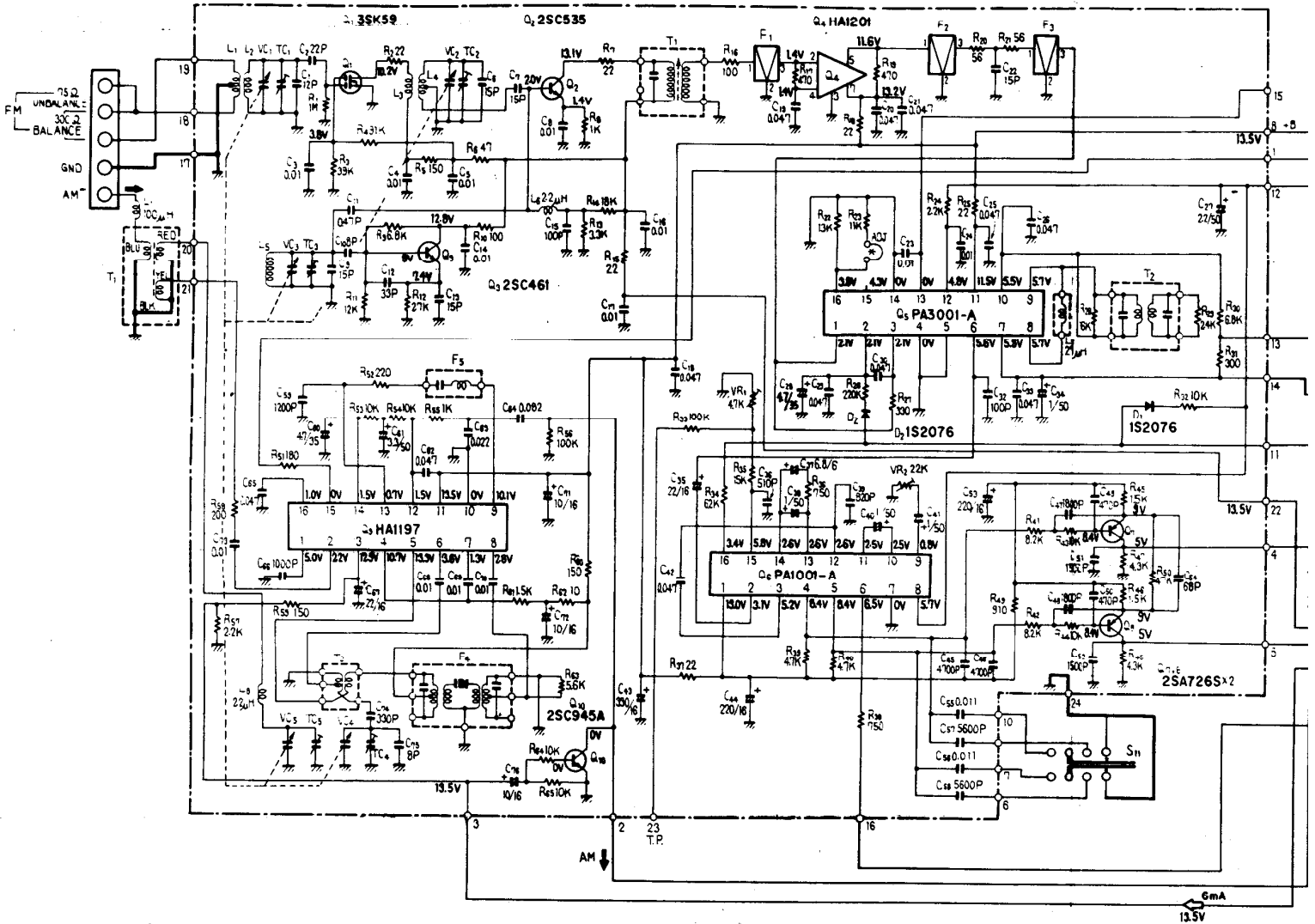


# X-780

S. S/G

PIONEER SX 780  
TUNER AMPLIFIER  
Dia No. 138  
Hi-Tone Radio Service  
MT. Lavinia.

TUNER Ass'y AWE-099



S3 TAPE MONITOR 2  
OFF - ON  
S4 MODE  
STEREO - MONO  
S5 LOUDNESS  
OFF - ON

S6 LOW FILTER  
OFF - 15Hz  
S7 PROTECTION RELAY  
OFF - ON  
S8 SPEAKER A  
OFF - ON

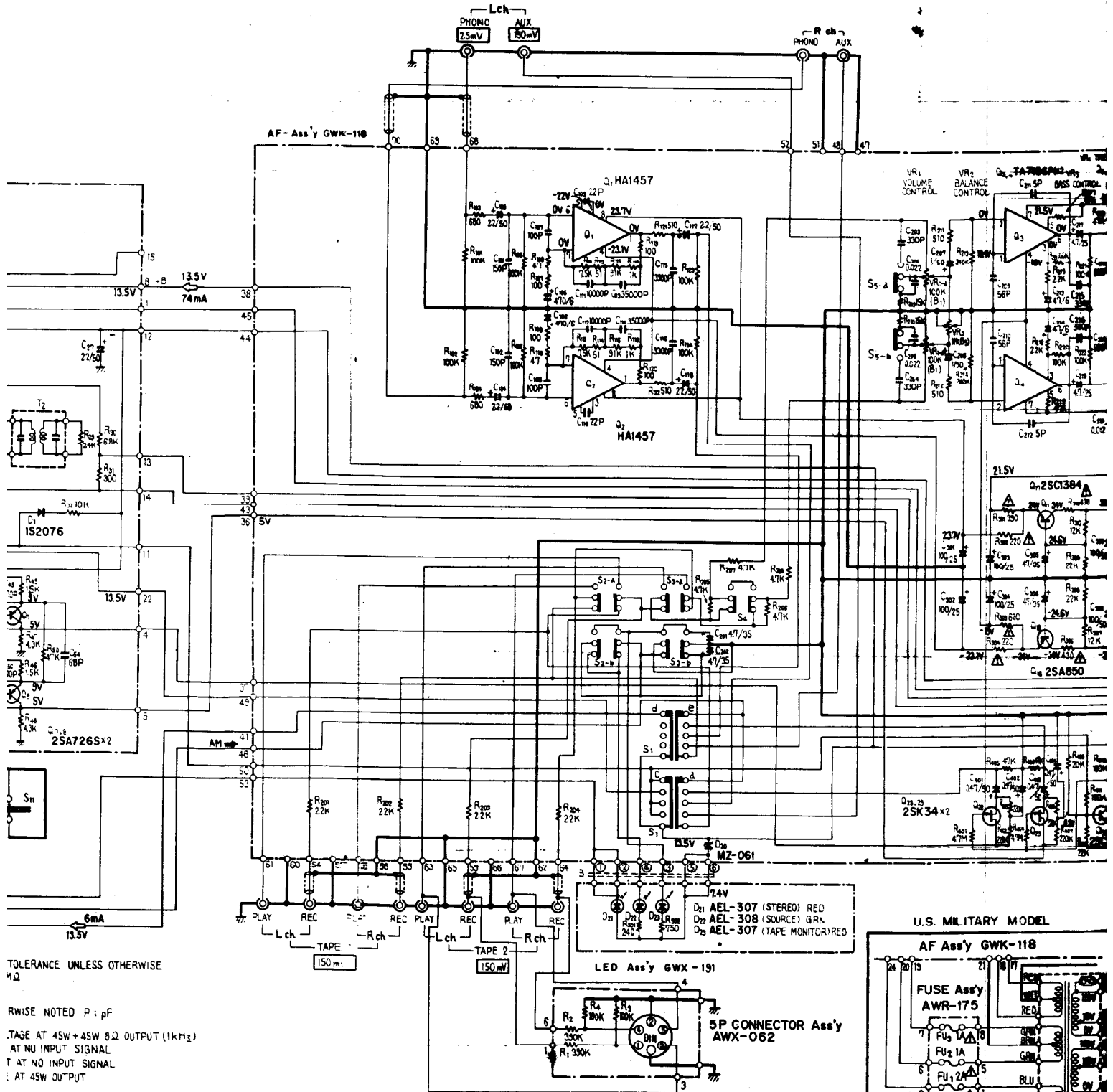
S9 SPEAKER B  
OFF - ON  
S10 FM MUTING  
ON - OFF  
S11 DE - EMPHASIS  
75us - 50us - 25us

S12 POWER  
OFF - ON  
S13 LINE VOLTAGE  
SELECTOR  
10V - 120V - 220V - 240V

RESISTORS:  
IN OHM 1/4W ±5% TOLERANCE UNLESS OTHERWISE NOTED K: KΩ M: MΩ  
CAPACITORS:  
IN μF UNLESS OTHERWISE NOTED P: pF  
V: SIGNAL VOLTAGE AT 45W + 45W 8Ω OUTPUT (1K)  
V: DC VOLTAGE AT NO INPUT SIGNAL  
mA: DC CURRENT AT NO INPUT SIGNAL  
(V): DC VOLTAGE AT 45W OUTPUT

This is the basic schematic diagram, but the actual circuit may vary due to improvements in design.

The Δ mark found on importance of the safe when replacing, be s designation.



TOLERANCE UNLESS OTHERWISE NOTED

RWISE NOTED P : pF

TAPE AT 45W + 45W 8Ω OUTPUT (1KHz)  
 AT NO INPUT SIGNAL  
 † AT NO INPUT SIGNAL  
 ‡ AT 45W OUTPUT

The  $\Delta$  mark found on some component parts indicates the importance of the safety factor of the part. Therefore, when replacing, be sure to use parts of identical designation.

